

GRU A MONTAGGIO RAPIDO  
 GRUE A MONTAGE RAPIDE  
 GRUA DE RAPIDO MONTAJE  
 GRUA DE MONTAGEM RAPIDA  
 QUICK SELFERECTING CRANE  
 HYDRAULISCHER SCHNELLMONTAGEKRAN

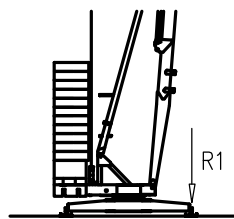


FEM 1.001 - A3

Curve di carico – Courbes de charges – Load diagrams – LastKurven – Curvas de cargas

	<table border="1"> <tr><td>3</td><td>20</td><td>39</td><td>m</td></tr> <tr><td>800</td><td>800</td><td>800</td><td>kg</td></tr> </table>	3	20	39	m	800	800	800	kg	OP	<table border="1"> <tr><td>3</td><td>20</td><td>39</td><td>m</td></tr> <tr><td>1000</td><td>1000</td><td>1000</td><td>kg</td></tr> </table>	3	20	39	m	1000	1000	1000	kg																																										
3	20	39	m																																																										
800	800	800	kg																																																										
3	20	39	m																																																										
1000	1000	1000	kg																																																										
	<table border="1"> <tr><td>11,1</td><td>12</td><td>14</td><td>16</td><td>18</td><td>20</td><td>22</td><td>24</td><td>26</td><td>28</td><td>30</td><td>32</td><td>34</td><td>36</td><td>38</td><td>40</td><td>m</td></tr> <tr><td>5000</td><td>4540</td><td>3730</td><td>3150</td><td>2720</td><td>2390</td><td>2120</td><td>1910</td><td>1730</td><td>1570</td><td>1440</td><td>1330</td><td>1230</td><td>1150</td><td>1070</td><td>1000</td><td>kg</td></tr> </table>	11,1	12	14	16	18	20	22	24	26	28	30	32	34	36	38	40	m	5000	4540	3730	3150	2720	2390	2120	1910	1730	1570	1440	1330	1230	1150	1070	1000	kg		<table border="1"> <tr><td>11,8</td><td>12</td><td>14</td><td>16</td><td>18</td><td>20</td><td>22</td><td>24</td><td>26</td><td>28</td><td>29.6</td><td>m</td></tr> <tr><td>5000</td><td>4910</td><td>4030</td><td>3410</td><td>2950</td><td>2590</td><td>2300</td><td>2070</td><td>1880</td><td>1710</td><td>1600</td><td>kg</td></tr> </table>	11,8	12	14	16	18	20	22	24	26	28	29.6	m	5000	4910	4030	3410	2950	2590	2300	2070	1880	1710	1600	kg
11,1	12	14	16	18	20	22	24	26	28	30	32	34	36	38	40	m																																													
5000	4540	3730	3150	2720	2390	2120	1910	1730	1570	1440	1330	1230	1150	1070	1000	kg																																													
11,8	12	14	16	18	20	22	24	26	28	29.6	m																																																		
5000	4910	4030	3410	2950	2590	2300	2070	1880	1710	1600	kg																																																		
			<table border="1"> <tr><td>20,1</td><td>22</td><td>24</td><td>26</td><td>28</td><td>30</td><td>32</td><td>34</td><td>36</td><td>38</td><td>40</td><td>m</td></tr> <tr><td>2500</td><td>2250</td><td>2030</td><td>1840</td><td>1690</td><td>1550</td><td>1440</td><td>1340</td><td>1250</td><td>1170</td><td>1100</td><td>kg</td></tr> </table>	20,1	22	24	26	28	30	32	34	36	38	40	m	2500	2250	2030	1840	1690	1550	1440	1340	1250	1170	1100	kg																																		
20,1	22	24	26	28	30	32	34	36	38	40	m																																																		
2500	2250	2030	1840	1690	1550	1440	1340	1250	1170	1100	kg																																																		
			<table border="1"> <tr><td>21,4</td><td>22</td><td>24</td><td>26</td><td>28</td><td>29.6</td><td>m</td></tr> <tr><td>2500</td><td>2410</td><td>2180</td><td>1980</td><td>1810</td><td>1700</td><td>kg</td></tr> </table>	21,4	22	24	26	28	29.6	m	2500	2410	2180	1980	1810	1700	kg																																												
21,4	22	24	26	28	29.6	m																																																							
2500	2410	2180	1980	1810	1700	kg																																																							
			<table border="1"> <tr><td>17,3</td><td>18</td><td>20</td><td>22</td><td>24</td><td>26</td><td>28</td><td>30</td><td>32</td><td>34</td><td>36</td><td>38</td><td>40</td><td>m</td></tr> <tr><td>3000</td><td>2860</td><td>2520</td><td>2250</td><td>2030</td><td>1840</td><td>1690</td><td>1550</td><td>1440</td><td>1340</td><td>1250</td><td>1170</td><td>1100</td><td>kg</td></tr> </table>	17,3	18	20	22	24	26	28	30	32	34	36	38	40	m	3000	2860	2520	2250	2030	1840	1690	1550	1440	1340	1250	1170	1100	kg																														
17,3	18	20	22	24	26	28	30	32	34	36	38	40	m																																																
3000	2860	2520	2250	2030	1840	1690	1550	1440	1340	1250	1170	1100	kg																																																
			<table border="1"> <tr><td>18,4</td><td>20</td><td>22</td><td>24</td><td>26</td><td>28</td><td>29.6</td><td>m</td></tr> <tr><td>3000</td><td>2710</td><td>2420</td><td>2180</td><td>1980</td><td>1810</td><td>1700</td><td>kg</td></tr> </table>	18,4	20	22	24	26	28	29.6	m	3000	2710	2420	2180	1980	1810	1700	kg																																										
18,4	20	22	24	26	28	29.6	m																																																						
3000	2710	2420	2180	1980	1810	1700	kg																																																						
	<table border="1"> <tr><td>3</td><td>14</td><td>m</td></tr> <tr><td>4000</td><td>4000</td><td>kg</td></tr> </table>	3	14	m	4000	4000	kg			<table border="1"> <tr><td>3</td><td>14</td><td>m</td></tr> <tr><td>3000</td><td>3000</td><td>kg</td></tr> </table>	3	14	m	3000	3000	kg																																													
3	14	m																																																											
4000	4000	kg																																																											
3	14	m																																																											
3000	3000	kg																																																											

Reazioni – Reactions – Réactions – Eckdrücke – Reacciones – Reacções

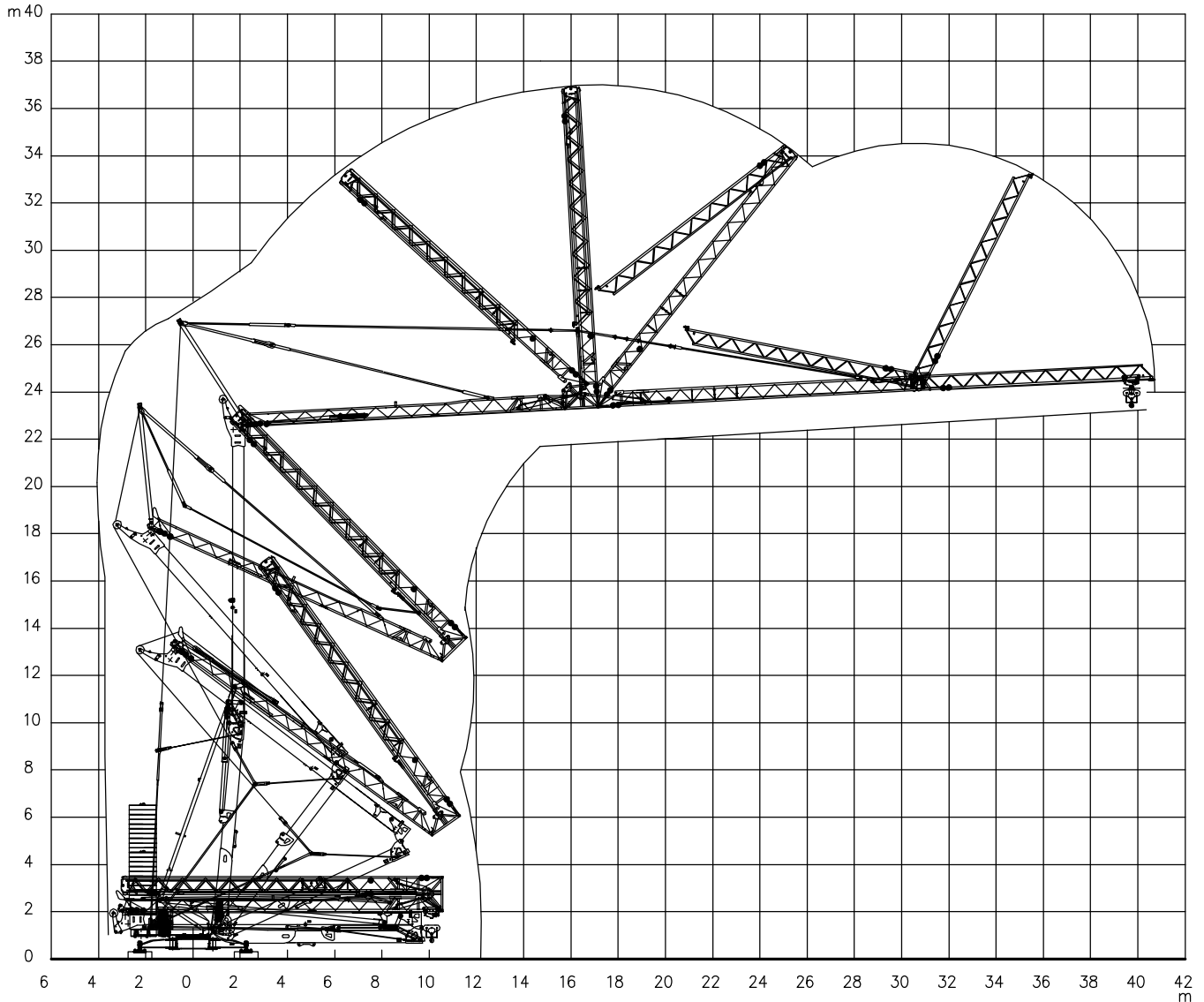


R1 ● 31 t ■ 24 t

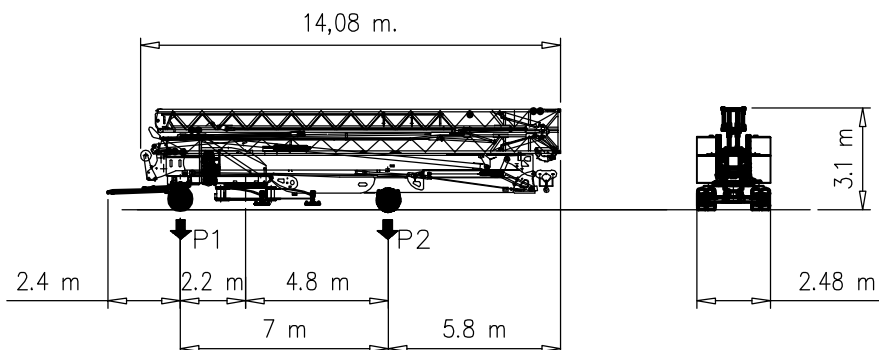
▲ 17.5 t ○ 30.6 t

- |                               |                                       |                                      |
|-------------------------------|---------------------------------------|--------------------------------------|
| ● Reazioni in servizio        | ● Reactions in service                | ● Réactions en service               |
| ■ Reazioni fuori servizio     | ■ Reactions out of service            | ■ Réactions hors service             |
| ▲ Peso della gru senza assali | ▲ Dead weight without transport axles | ▲ Poids de construction sans essieux |
| ○ Peso zavorra rotante        | ○ Ballast weight                      | ○ Poids du lest                      |
- 
- |  |  |   |
|--|--|---|
| ● Reaktionskräfte in betrieb               | ● Reacciones en servicio                 | ● Em serviço                              |
| ■ Reaktionskräfte außer betrieb            | ■ Reacciones fuera de servicio           | ■ Fora de serviço                         |
| ▲ Konstruktionsgewicht ohne transportachse | ▲ Peso de la grua sin tren de transporte | ▲ Peso de la grua sem carro de transporte |
| ○ Ballastgewicht                           | ○ Peso de lastre                         | ○ Peso de lastre rotativo                 |

Montaggio – Montage – Erection – Montage – Montaje – Montagem



Trasporto – Transport – Transport – Transport – Transporte



P1	kg	10050
P2	kg	12630
Ptot	kg	22680

V12.40 Sollevamento Hoisting Levage Heben Elevaciòn Elevaçao	m/min					 	V12.40 8.8 kW (12 Hp) 18 kVA 
		4	15	30	55		
	t	2.5	2.5	1.0	0.6		
	m/min						
2		7.5	15	27.5			
t	5.0	5.0	2.0	1.2			
V15.45 Sollevamento Hoisting Levage Heben Elevaciòn Elevaçao	m/min					 	V15.45 11 kW (15 Hp) 20 kVA 
		4	15	30	55		
	t	3	3	2.0	0.7		

Carrello Trolleying Distribuciòn			1a	0 → 45	m/min	2.2 kW / 3 kW
			2a			
			3a			
			1a	0 → 17	m/min	3 kW
			2a			
			3a			
		1a	0 → 17	m/min	3 kW	
		2a				
		3a				
Rotazione Slewing Orientaciòn			1a	0 → 0.8	giri/min tr/min rp/min	2.2 kW
			2a			
			3a			

Rete elettrica – Réseau – Mains supply – Netzstrom – Red	400V – 50 Hz
Potenza elettrica necessaria – Puissance électrique nécessaire Necessary electric power – Anschlusswert – Potencia electrica necesaria	V12.40 18 kVA V15.45 20 kVA
Conforme alla direttiva 2000/14/CE sul livello acustico Conforme à la directive 2000/14/CE sur le niveau acoustique In compliance with the 2000/14/CE instruction on noise level Gemäss EWG-Richtlinie 2000/14/CE über Schall-Leistungspegel Conforme con la directiva 2000/14/CE sobre el nivel acustico	FEM 1.001–A3

FMgru s.r.l.  
 via Emilia 11–29010 Pontenure PC ITALY  
 tel. 0523/510446 ric.aut. fax 0523/510365  
 www.fmgru.it e-mail: info@fmgru.com



Documento commerciale non contrattuale  
Per tutte le informazioni tecniche riferirsi  
alle corrispondenti istruzioni

Unverbindliches Vertriebsdokument.  
Für technische Informationen, siehe die  
entsprechenden Anweisungen.

This commercial document is not legally  
binding. For any technical information, please  
refer to the corresponding instructions.

Documento commercial no contractual  
Para cualquier información técnica,  
ver la noticia correspondiente.

Code: 15ICA37B90A0			
Ed.	Data	Rev	Data
1	11.04.07	1	23.03.10